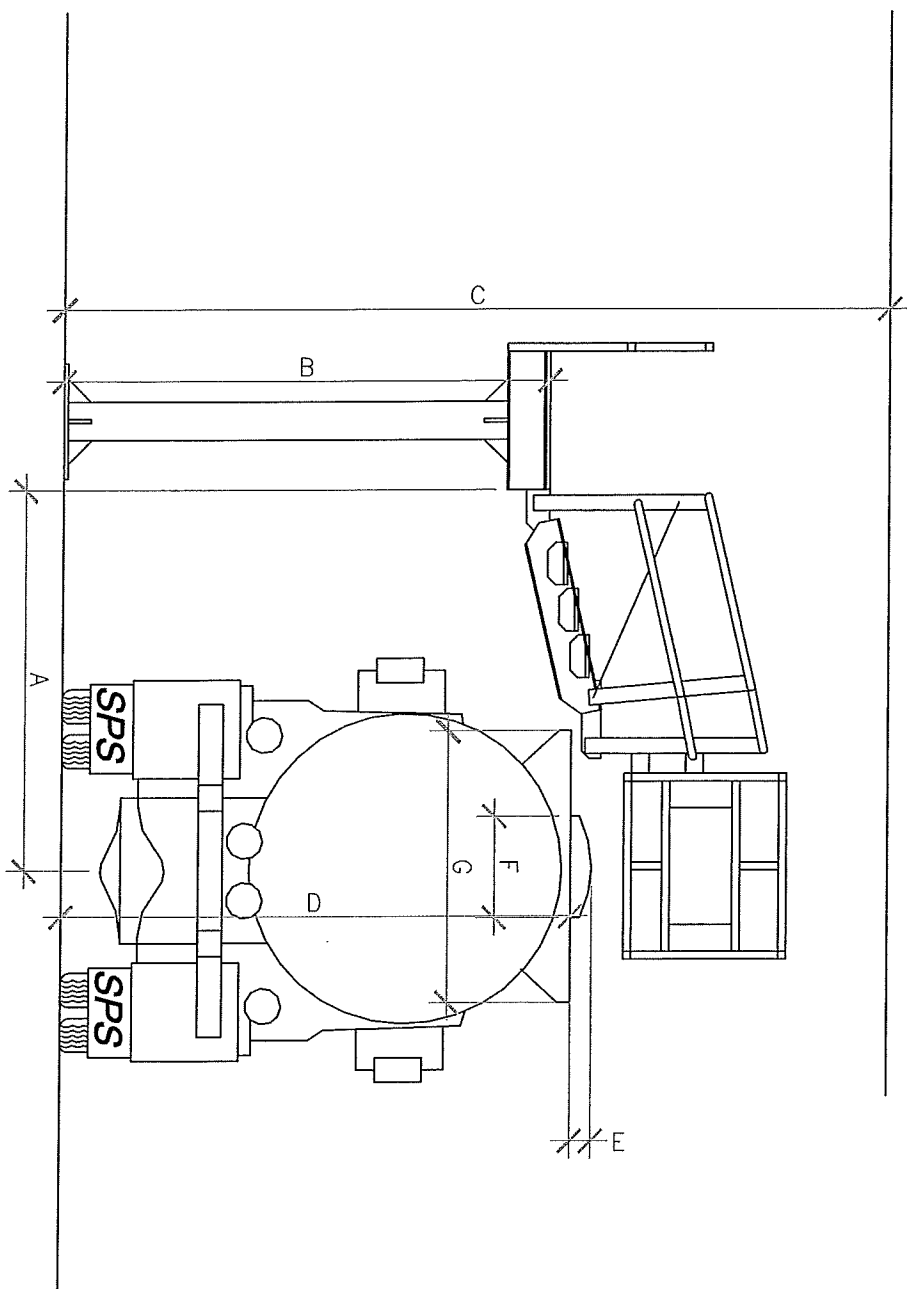




The precision of a craftsman. The efficiency of an expert.

CUSTOMER NAME: _____ DATE: _____
 LOCATION: _____ NAME: _____
 CUSTOMER CONTACT: _____ JOB NO.: _____
 PHONE NUMBER: _____
 FAX NUMBER: _____
 EMAIL: _____



- _____ "A" DISTANCE FROM FACE OF PLATFORM TO CENTERLINE OF LOADING/UNLOADING HATCH
- _____ "B" DISTANCE FROM PLATFORM WALK SURFACE TO GRADE
- _____ "C" HEIGHT OF CLOSEST OVERHEAD OBSTRUCTIONS
- _____ "D" HEIGHT OF TRUCK WALK SURFACE TO TRUCK GRADE
- _____ "E" HEIGHT OF SPILL DAM
- _____ "F" WIDTH OF SPILL DAM
- _____ "G" WIDTH OF WALKING SURFACE
- _____ HANDRAIL OPENING ON EXISTING PLATFORM (STANDARD 42")
- _____ CAGE NEEDED FOR FALL PROTECTION (YES/NO)
- _____ SIZE OF CAGE (4' X 5' - 4 RAIL)
- _____ STYLE OF GAGEWAY
- _____ SELF LEVELING - NORMAL FOR TRUCKS
- _____ FLAT RAMP
- _____ FLAT RAMP WITH EXTENSION
- _____ MOUNTING TO EXISTING PLATFORM WITH STANDARD MOUNTS (YES/NO)
- _____ NEW PLATFORM REQUIRED (YES/NO)
- _____ IS PLATFORM GRADE AND TRUCK GRADE THE SAME (YES/NO) IF NOT, EXPLAIN

COMMENTS:

