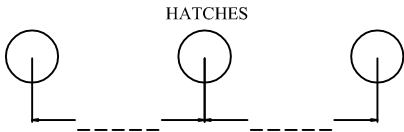
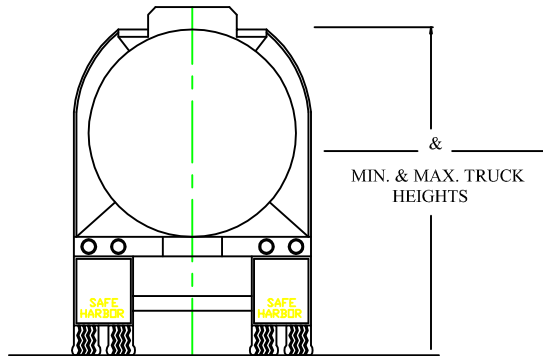


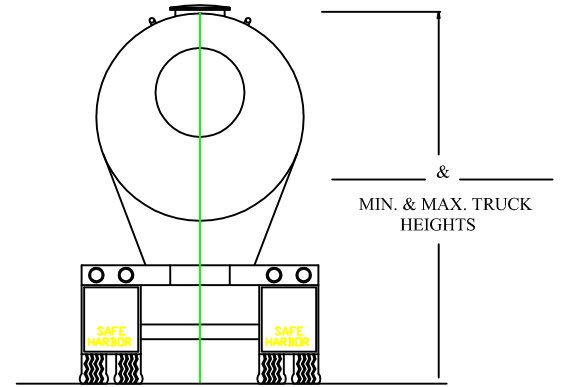
VEHICLE INFORMATION



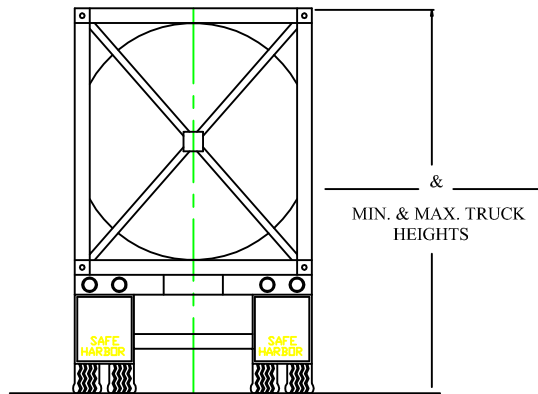
SINGLE OR MULTIPLE HATCHES
(CIRCLE ONE)



TYPICAL TANK TRUCK

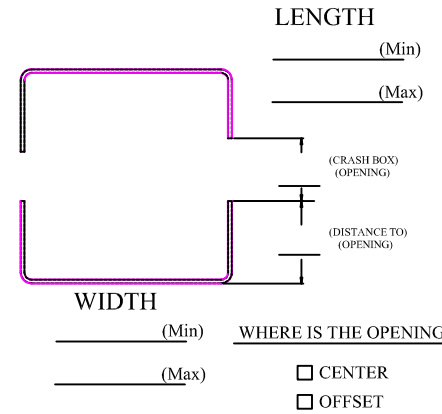


TYPICAL HOPPER TRUCK

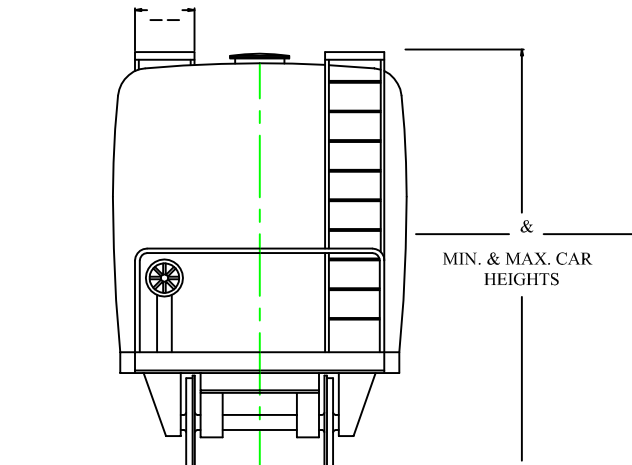


TYPICAL ISO TRUCK

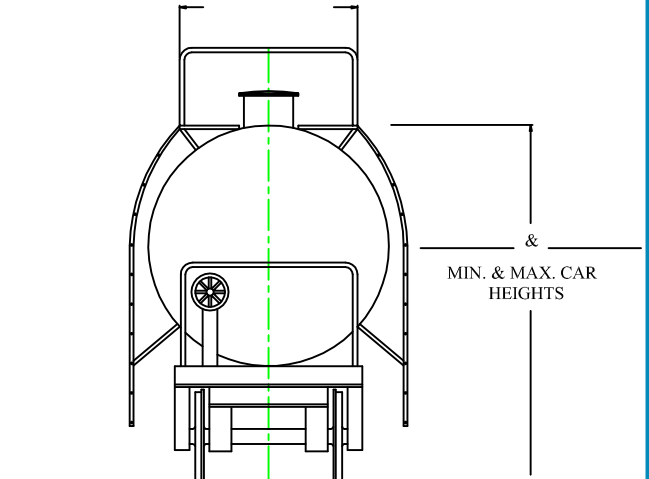
CRASH BOX MIN / MAX



WHERE IS THE WALK SURFACE?
(CENTER or OUTER)



TYPICAL HOPPERCAR



TYPICAL RAILCAR