



- 18", 20", 24" Sizes
- Acids & Caustic Services
- Fiberglass Construction
- API 650, ANSI 150 or DIN Flange Drilling
- Leakage Rate of ≤ 1 SCFH at 90% of Set Point
- 470 Derakane Std., 411 Derakane and Furan Available

The Shand & Jurs 94065 Fiberglass Reinforced Plastic Manhole Cover (Pressure & Vacuum)

The Shand & Jurs 94065 FRP Series Manhole Cover is designed to provide emergency venting and vacuum relief of low-pressure storage tanks and vessels. These covers also provide quick, easy access for tank inspection and maintenance. When the tank is exposed to abnormal internal pressure or vacuum beyond the capability of the breather vent, the manhole protects the tank against costly rupture.

The Shand & Jurs 94065 FRP Series Manhole Cover provides an effective vapor-tight seal until pressure or vacuum relief is required to protect the tank. Under emergency fire conditions, the cover opens fully to allow escape of vapors and prevents damage to the tank. Under vacuum conditions, the spring-loaded vacuum vent will open to relieve excessive negative pressure.

CONSTRUCTION

STANDARD: Flange, Seat, and Pallets of Derakane 470 Vinyl Ester Resin. Stainless Steel 316 Trim (Hastelloy optional) and Teflon® Air Cushioned Pallet Seating.

CUSTOM: Other resins, soft goods, and trim materials are available to meet exact corrosion requirements including 411 Derakane and Furan Hastelloy. Hardware is also available.

FAST INSPECTION, EASY MAINTENANCE

Unit's rugged and lightweight design provides for easy, convenient handling for installation, inspection and maintenance. The pressure cover is normally restrained to allow automatic reseating. Disconnection of the retaining cord allows the pressure vent cover to be completely removed, thereby allowing access into the tank through the full diameter seat opening. Facilitates tank inspection and repair procedures.

MAINTAINS ACCURATE PRESSURE SETTING

Factory tested prior to shipment to meet Shand & Jurs high standards. Standard pressure setting of 3/4 oz/in² on all models. Standard vacuum relief setting is 1/2 oz/in². Higher settings are also available.

MODEL NUMBER SELECTION:

The model number will consist of a base number 94065 followed by three 2 digit numbers which represent the options listed in the following tables.



Specify:

1. Model 94065 Fiberglass Reinforced Plastic Manhole Cover
2. Type of Size
3. Type of Pressure Setting
4. Temperature Range
5. Flange Type
6. To Specify CE for Ordinary EU Locations use 94065CAB-CD-EF

TABLE I - (AB) SIZE

OPTION # (AB)	SIZE (inches)
18	18"
20	20"
24	24"

TABLE II - (C) Pressure Setting and Load Weight

OPTION (C)	PRESSURE SETTING OZ/IN ²	LOAD WEIGHTS
1	.75 - 1.5	Coated Weights
2	1.5 - 4.0	
3	.75 - 1.5	Encapsulated Weights
4	1.5 - 4.0	

* Maximum Pressure Setting is 4 OZ/SQ Inch
(Higher Set Points Available, Consult Factory)

TABLE II - (D) MATERIAL

OPTION # (D)	BODY MATERIAL
1	411 DERAKANE
2	470 DERAKANE
3	FURAN

TABLE III (E) - FLANGE TYPE

OPTION (E)	FLANGE TYPE
0	ANSI 125/150# FF
1	DIN PN10 FF
2	* API 650 FF
3	UL 142 FF

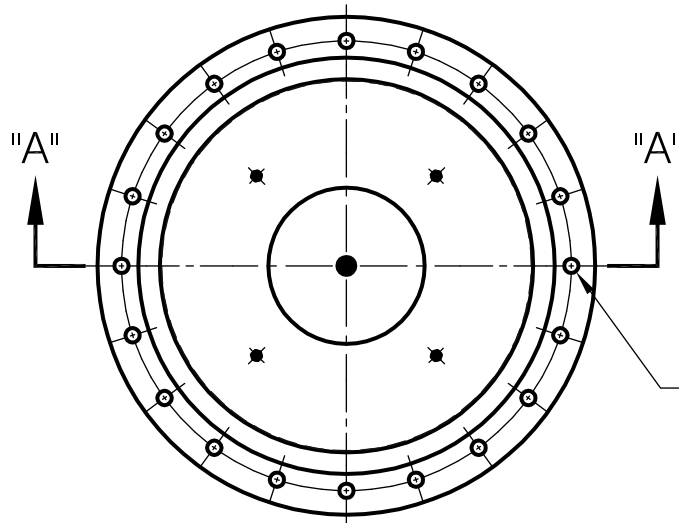
*API 650 Flange available in 20" and 24" sizes only.

TABLE III (F) - CONSTRUCTION

OPTION (F)	CONSTRUCTION
1	Standard
2	Hastelloy C Stud & Nuts
3	Hastelloy C Stud & Nuts and Extra Corrosion Barrier

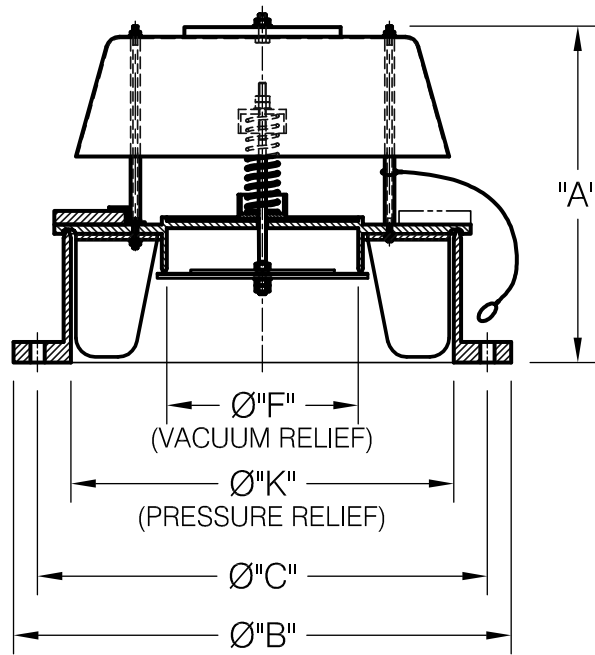
NOTE: Hood Wing Nuts, Hold Down Clamp and Retaining Cable is 316SS

NOTE: For HCL environment up to 36% volume specify corrosion barrier and encapsulated weights



NOTE:
 DIMENSIONS EXPRESSED
 IN INCHES.

"N" NO. OF HOLES
 "E" DIA. OF HOLES



SECTION "A-A"

SIZE	"ØK"	"A"	"ØB"	"ØC"	"ØE"	"N"	"ØF"
20" API	20	17-1/4	26	23-1/2	3/4	16	9-15/16
20" ANSI	20	17-1/4	27-1/2	25	1-1/4	20	9-15/16
24" API	24	17-1/4	30	27-1/2	3/4	20	9-15/16
24" ANSI	24	17-1/4	32	29-1/2	1-3/8	20	9-15/16